

CLIENT

SPECIFICATION OF CLIENT

**SPECIFICATION
OF
ELECTROSTATIC OIL CLEANER
TYPE ELC-R100TP
(TOUCH PANEL)**

SPECIFICATION No.

0556008S01-R06

APPROVED BY

Aug. 23. 2022 Y. Aoki

DESIGNED BY

Dec. 19. 2018 Y. Aoki

KLEENTEK Corporation

To apply the drawing number

General View	0556008G01-R04
Flow Diagram	0556008F01-R01
Circuit Diagram	0556008E01-R03
Electric Parts List	0556008L01-R00

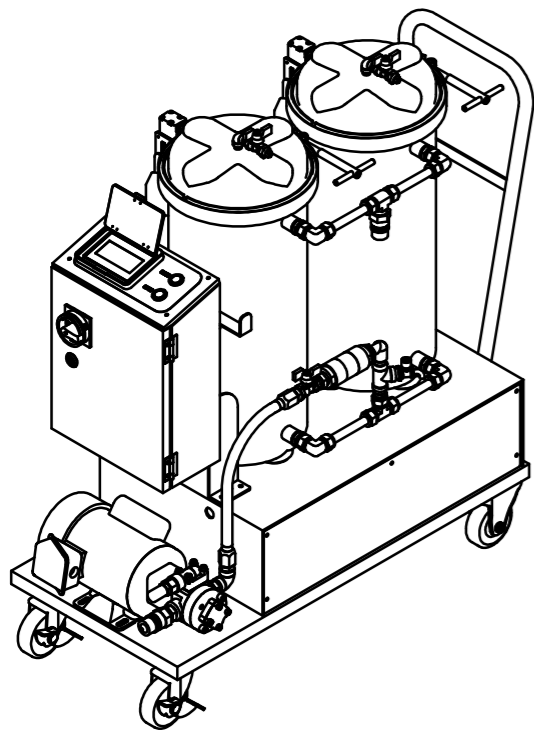
Revision history

- May. 17. 2019 Circuit Diagram was revised R2 to R3. (Y. Aoki)
Output signal was added.
- Jul. 4. 2019 Specification of output signal was revised. (Y. Aoki)
- Oct. 3. 2019 Allowable conditions and Power source (capacity) was revised. (Y. Aoki)
- Oct. 13. 2020 General view is revised. (Y. Aoki)
- Aug. 23. 2022 General view is revised. (Y. Aoki)

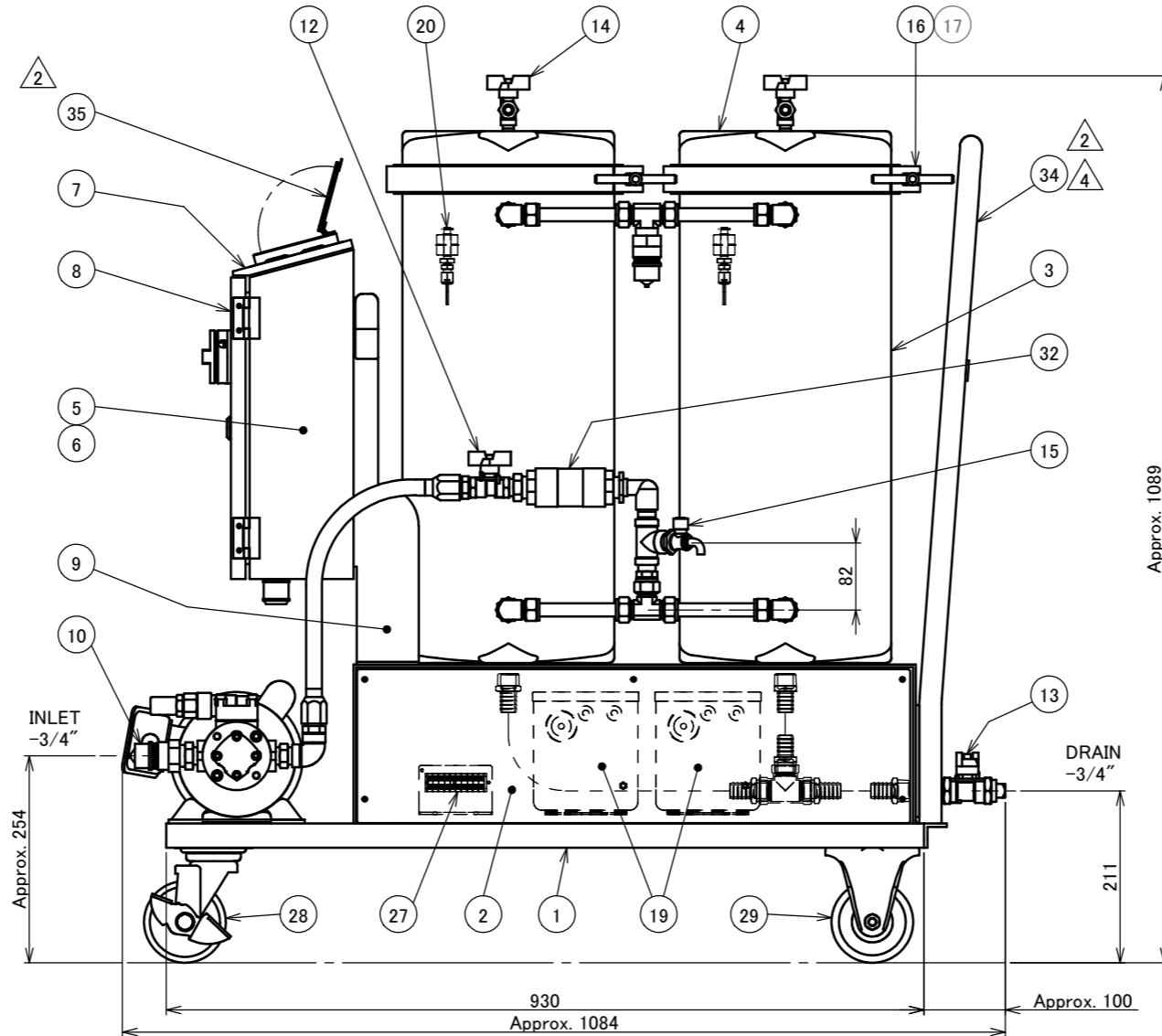
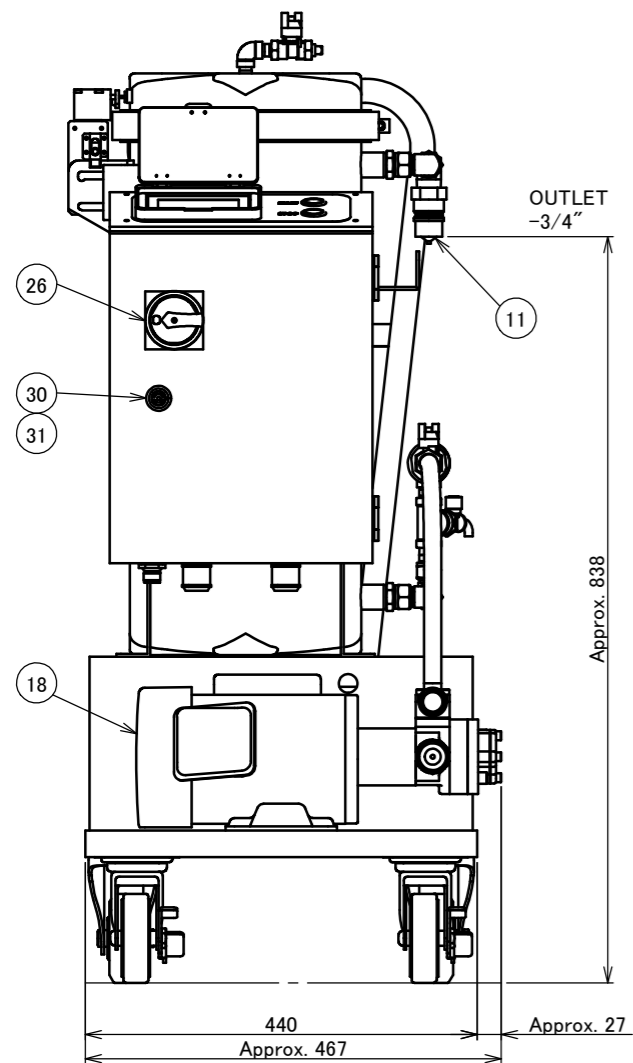
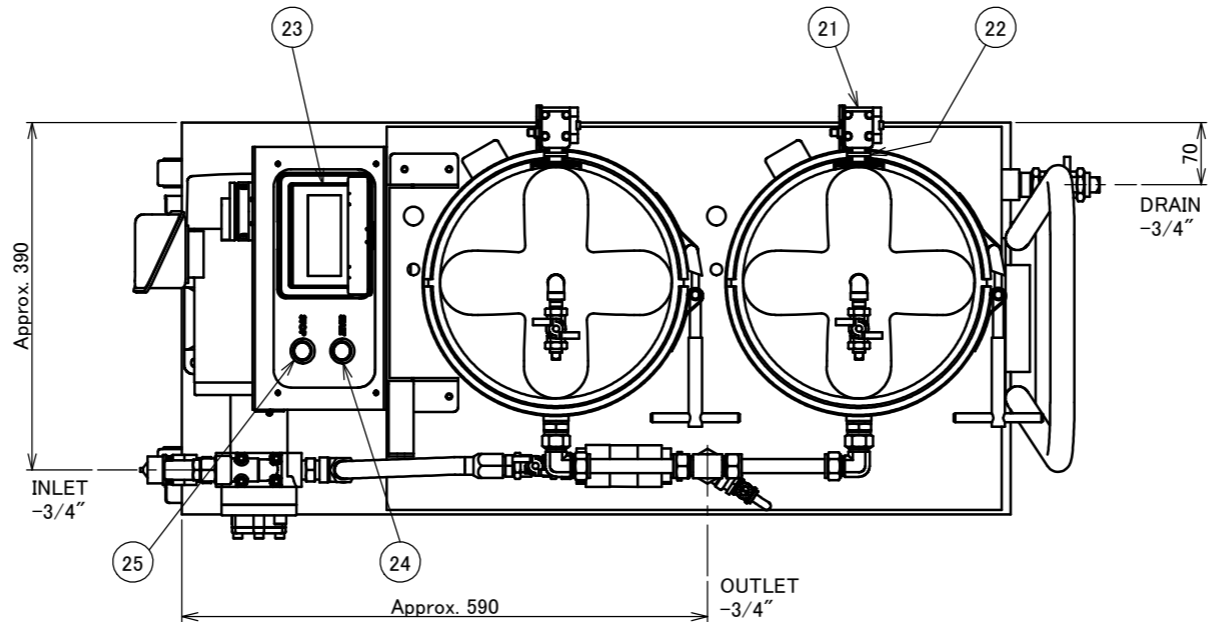
INTENDED OIL	Type	-----
	Use	-----
ALLOWABLE CONDITIONS	Oil viscosity	150 mm ² /s (at 40 deg. C) or less
	Oil temperature	60 deg. C or less
	Moisture level	No free water in oil
GENERAL	Power source	AC230-240V 50Hz Single phase 1.4kW
	Control voltage	DC24V / AC230-240V (Only for high voltage transformer)
	Dimension	Approx. 1084 (L) x 468 (W) x 1087 (H)
	Designed weight	Approx. 160 kg (Optional accessories are not included.)
	Operation	All instruments are operated with Start button and Stop button automatically. Also pump and high voltage can be operated separately through touch panel with manual mode. Automatic restart after recovery from power outage is possible to select ON or OFF with touch panel.
	Oil discharging method (from tanks)	Reverse operation of pump with manual mode on touch panel.
	Power cable	1.5mm ² x 5m
PUMP	Type (with motor)	KTP2-4024-208HBMVB
	Manufacturer	NIPPON OIL PUMP
	Capacity	12.0 L/min (at 50Hz, 1500rpm)
	Relief pressure	0.3 MPa (gauge)
PUMP MOTOR	Voltage	AC230-240V 50Hz Single phase
	Output	400W
	Enclosure	Totally enclosed
	Protection class	IP44
	Poles	4
	Revolution	1440 rpm (at 50Hz)
	Insulation	B
CLEANING TANK	Material of body	SUS304
	Material of centre electrode	SUS304
	Material of Insulator	PVC (Polyvinyl chloride)
	Material of O-ring	NBR (Nitrile butadiene rubber)
	Quantity	2
	Capacity	Approx. 70 L
	Collector type	CC-R50SP
	Collector quantity	2
PAINTING COLOUR	Base and control box	MUNSELL No. N3.5
	Surface of stainless (Steel tanks)	No painting
	Piping	No painting
	Motor and pump	Maker's standard

	NAME	TYPE OR SPECIFICATIONS	Qty	NOTE
ACCESSORIES	Collector	CC-R50SP	2	Installed in electrostatic oil cleaning tank before shipping.
	Spare O Ring	P260, NBR	2	For lid
	Instruction manual		1	
	Suction hose	3/4" x 5m	1	3/4" self-sealing coupler and Y-shaped strainer are mounted in one end only.
	Delivery hose	3/4" x 5m	1	3/4" self-sealing coupler is mounted in one end only.
	Inspection Door key		1	
	SOUND PRESSURE LEVEL	Less than 85db (at 1 metre from equipment)		
APPLICATION STANDARD	JIS and JEM			
OTHER INFORMATION	<p>1) Status output</p> <p>1-1) Signal : 4 – 20mA</p> <p>1-2) Terminal : "0+" and "0-"</p> <p>1-3) Status</p> <p>1-3-1) 0mA : No power</p> <p>1-3-2) 4mA : Standby</p> <p>1-3-3) 8mA : In operation</p> <p>1-3-4) 12mA : Prepare collector</p> <p>1-3-5) 16mA : Change collector</p> <p>1-3-6) 20mA : Any alarm</p> <p>2) High voltage value output</p> <p>2-1) Signal : 4 – 20mA</p> <p>2-2) Terminal : "1+" and "1-"</p>			

リビジョン				
リビジョン	日付	訂正履歴	訂正者	
1	2018/12/19	製品化に伴い図番: DA180226G01-R00より変更、製品名変更	青木	
2	2020/08/24	Optional accessories are added.	Aoki	
3	2020/10/13	The orientation of the sampling valve is revised.	Aoki	
4	2022/08/23	Optional handle is revised.	Aoki	



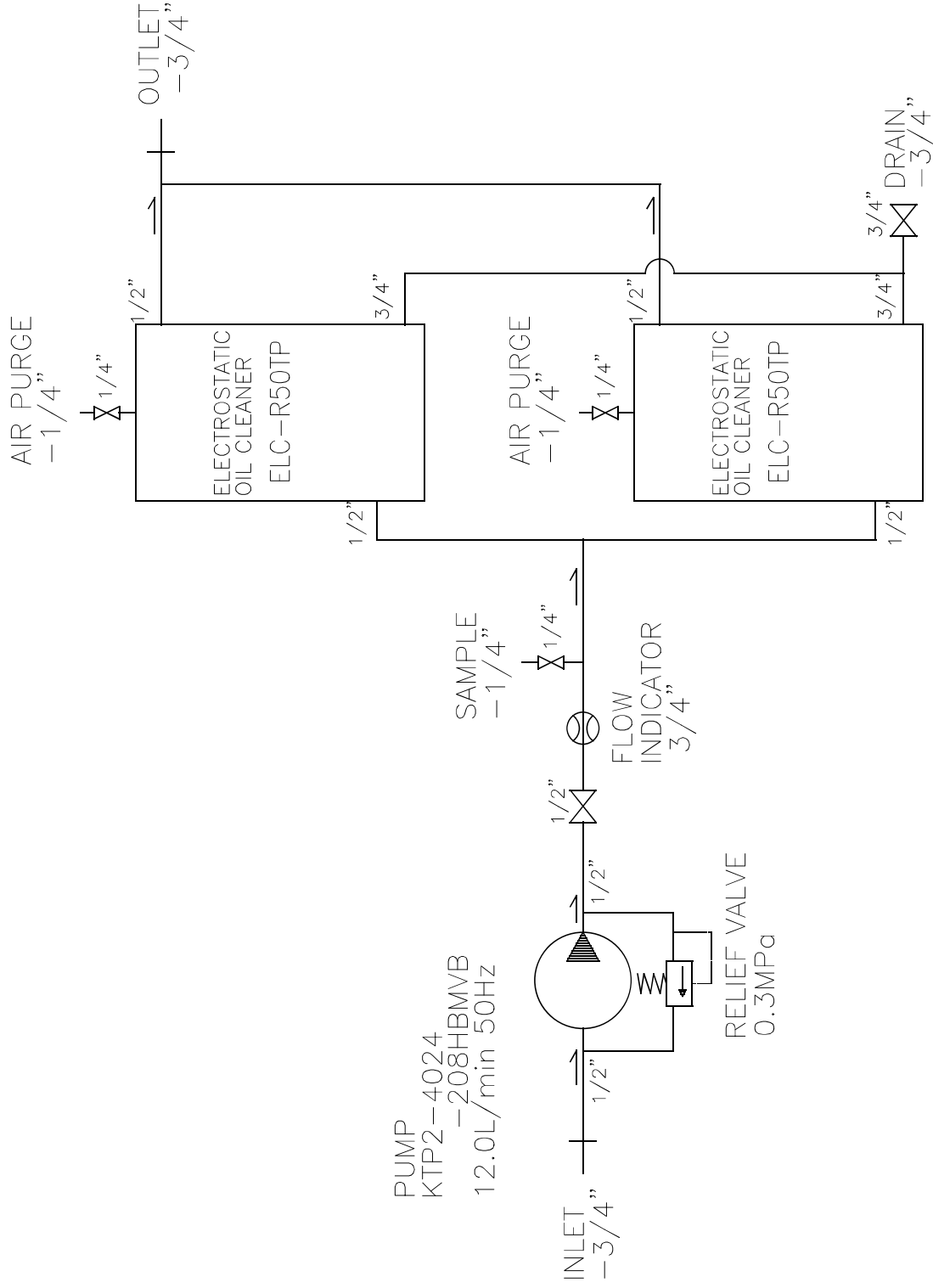
PROJECTION VIEW
SCALE (1 : 10)



35	TOUCH PANEL COVER (OPTIONAL ACCESSORIES)			(1)	
34	HANDLE (OPTIONAL ACCESSORIES)	SS		(1)	
33					
32	3/4" FLOW INDICATOR	BC	CFV4B	1	ELETTROTEC
31	KEY	ZDC	PH-58-handle	1	Geo. Prince Takeshita
30	LATCH	ZDC	PH-58-R-11	1	Geo. Prince Takeshita
29	φ 100 FIXED CASTER		WK-100UB	2	TOSEI
28	φ 100 SWING CASTER		WJ-100UB-S	2	TOSEI
27	TERMINAL BLOCK		SK10	1	TOHO
26	MANUAL LOAD CONTACTOR		P1-25/V/SVB	1	EATON
25	PUSH BUTTON		CW4B	1	IDEC
24	LIGHTING PUSH BUTTON		CW4L	1	IDEC
23	TOUCH PANEL WITH PROGRAMMABLE LOGIC CONTROLLER		FT1A-C14KA	1	IDEC
22	OPERATION KEY		D4BS-K2	2	OMRON
21	LIMIT SWITCH		D4BS-25FS	2	OMRON
20	FLOAT SWITCH	SUS	RFS940309	2	RIKO SANGYO
19	HIGH VOLTAGE TRANSFORMER		DCL16U18	2	KLEENTEK
18	TROCHOID PUMP / MOTOR	FC/NBR	KTP2-4024-208HBMVB	1	NIPPON OIL PUMP
17	"O"-RING	NBR	P260	2	
16	FASTENER	SUS	YMV15090K-290	2	YOKOHAMA
15	1/4" SAMPLING VALVE	BC		1	
14	1/4" AIR PURGE VALVE	BC		2	
13	3/4" DRAIN VALVE	BC		1	
12	1/2" BALL VALVE	BC		1	
11	3/4" OUTLET	SS	M-BIR-34-BSPT	1	Stucchi
10	3/4" INLET	SS	M-BIR-34-BSPT	1	Stucchi
9	CONTROL BOX BRACKET	SPHC		1	
8	INSPECTION DOOR	SPCC		1	
7	CONTROL PANEL	SPCC		1	
6	PARTS BASE	SPCC		1	
5	CONTROL BOX	SPCC		1	
4	LID	SUS304		2	
3	CLEANING TANK	SUS304		2	
2	SIDE COVER	SPCC		2	
1	BASE	SPHC		1	
品番 PART NO.	部品名 PART NAME	材質 MATERIAL	型式 TYPE	数量 QTY	備考 NOTICE
納入先 CLIENT					

 三角法 3RD ANGLE PROJECTION	尺度 SCALE	単位 UNITS	承認 APPROVED BY	設計 DESIGN BY	図面名称 DRAWING NAME	0556008G01 改訂番号 REVISION NO. 04
	1/6	mm	22.823 青木	18.9.20 青木	ELC-R100TP(CE / TOUCH PANEL) General view	
株式会社 クリーンテック KLEENTEK Corporation						A2

訂正履歴
 No. No. E 訂正内容
 18.12.19 製品化に伴い図番：DA180226F01-R00より製品名変更、製品名変更



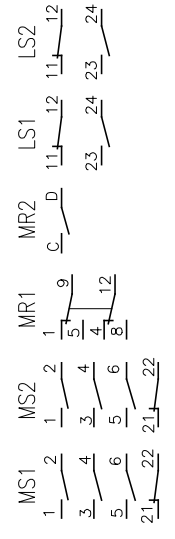
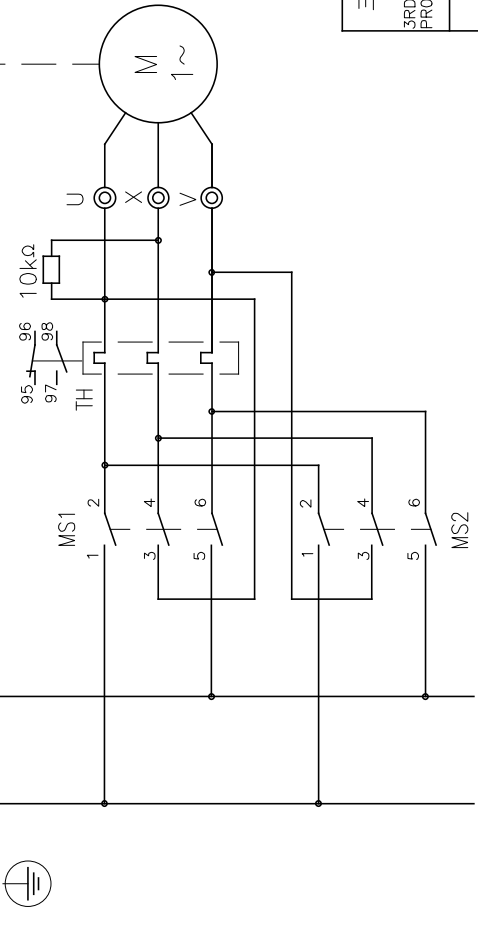
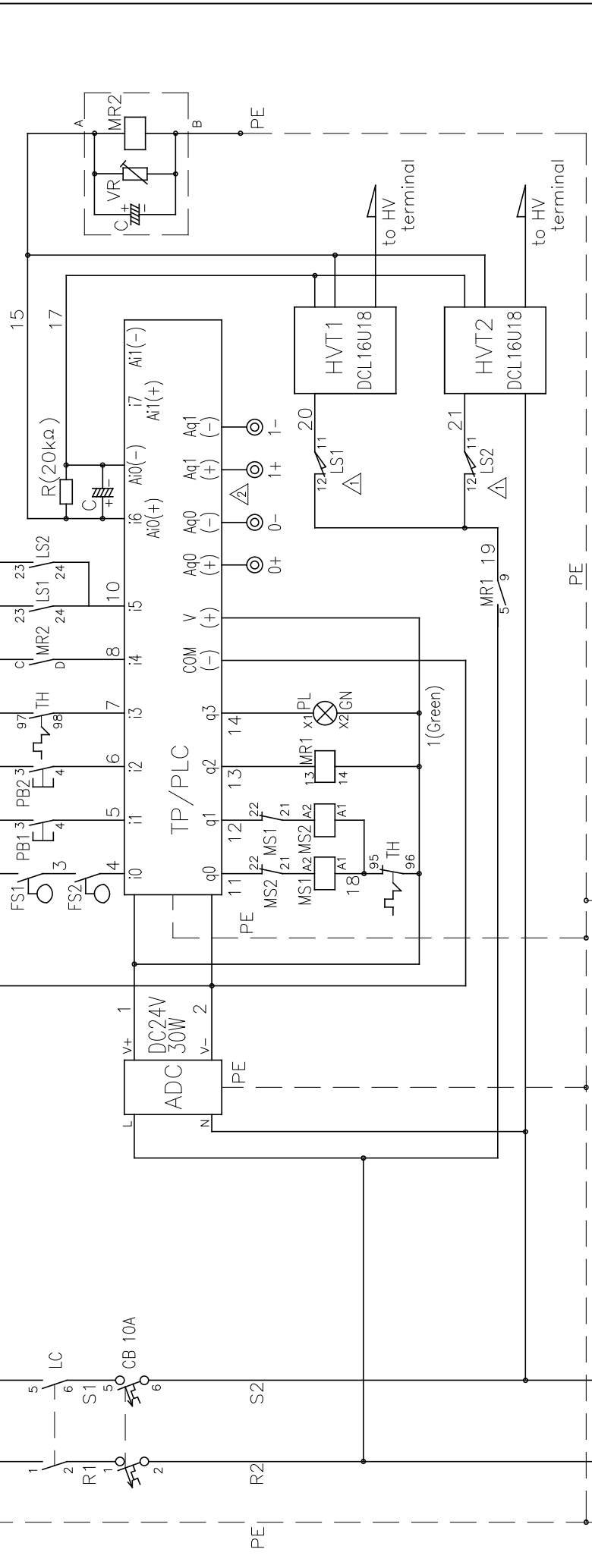
図名 CLIENT		設計 DESIGN		承認 APPROVED		単位 UNITS		図番 DRAWING NO.	
三角法 SCALE	FREE	mm		18.12.20 清水	18.09.20 清水	0556008F01	0556008F01		
SPD ANGLE	PROJECTION								
株式会社 クリーンテック KLEENTEK Corporation									

図名
CLIENT
 図名
DRAWING NAME
 ELC-R100TP (CE / TOUCH PANEL) Flow diagram
 図番
DRAWING NO.
 0556008F01
 訂正番号
REVISION NO.
 01

AC230-240V 50Hz 1 Phase
 PE R S
 1 2 1 5 6
 R1 S1 CB 10A
 1 2 5 6

PB1, PL: Lighting push button unit
 FS: Float switch to detect oil surface in cleaning tank
 HVT: High voltage transformer
 LC: Manual load contactor

年・月・日	訂正履歴	訂正者
18.12.19	製品化に伴い図番:DA180226E01-R00より変更、部品名変更 リミットスイッチの配線を変更	青木
19.2.18	外部接点を追加	青木
19.3.27	L S部配線を修正	青木



CABLE NO.	TYPE	SIZE	COLOUR
R1,R2,S1-3	H05VK	1mm ²	BLACK
U,V,X	H05VK	1mm ²	RED
1-3,1,3,1,4	H07VK	1.5mm ²	GREEN/YELLOW
OTHERS	H05VK	1mm ²	BLUE

納入先 CLIENT			
図面名称 DRAWING NAME	ELC-R100TP (CE / TOUCH PANEL) Circuit diagram		
設計 DESIGN BY	承認 APPROVED BY	設計 DESIGN BY	図面番号 DRAWING NO.
	2019.3.27 青木	2018.9.20 青木	0556008E01
3RD ANGLE PROJECTION	SCALE	FREE	改訂番号 REVISION NO. 03
株式会社 クリーンテック KLEENTEK Corporation			

ELECTRICAL PARTS LIST

No.	Symbol	Part name	Type	Manufacturer	Q ty	Note
1	LC	Manual load contactor	P1-25V/SVB	EATON ELECTRIC	1	
2	CB	Circuit breaker	BW32SAG	FUJI ELECTRIC	1	32AF/10AT
3	ADC	DC power supply	AC100-240V PS5R-VC24	IDEC	1	30W DC24V output
4	MS1,2 TH	Motor starter with overload detector	DC24V SK06GWR-E01WK2P8	FUJI ELECTRIC	1	TH: 2.8A
5	TP/ PLC	Touch panel with programmable logic controller	DC24V FT1A-C14KA-S	IDEC	1	
6	MR1	Auxiliary relay	DC24V RU2S-D24	↑	1	
7	MR2	↑	DC24V G5CA-1A-H	OMRON	1	
8	PB1, PL	Lighting push button	CW4L-M1E10Q4G	IDEC	1	Coil: DC24V Colour: Green
9	PB2	Push button	CW4B-M1E10B	↑	1	Colour: Black
10	FS	Float switch	RFS940309	RIKO SANGYO	2	
11	LS	Limit switch	D4BS-25FS	OMRON	2	
12	↑	Operation key	D4BS-K2	↑	2	
13	HVT	High voltage transformer	DCL16U18	KLEENTEK	2	Coil: AC230-240V
14						
15						
16						
17						
18						
Customer				Type ELC-R100TP (Touch panel)		Drawing No. 0556008L01-R00
				Designed by Dec.19.2018 Y. Aoki		Approved by Dec. 19. 2018 Y. Aoki