

CONFIDENTIAL: THIS DOCUMENT CONTAINS INFORMATION WHICH IS PROPRIETARY TO UAS, AND SHOULD BE PROTECTED ACCORDINGLY.

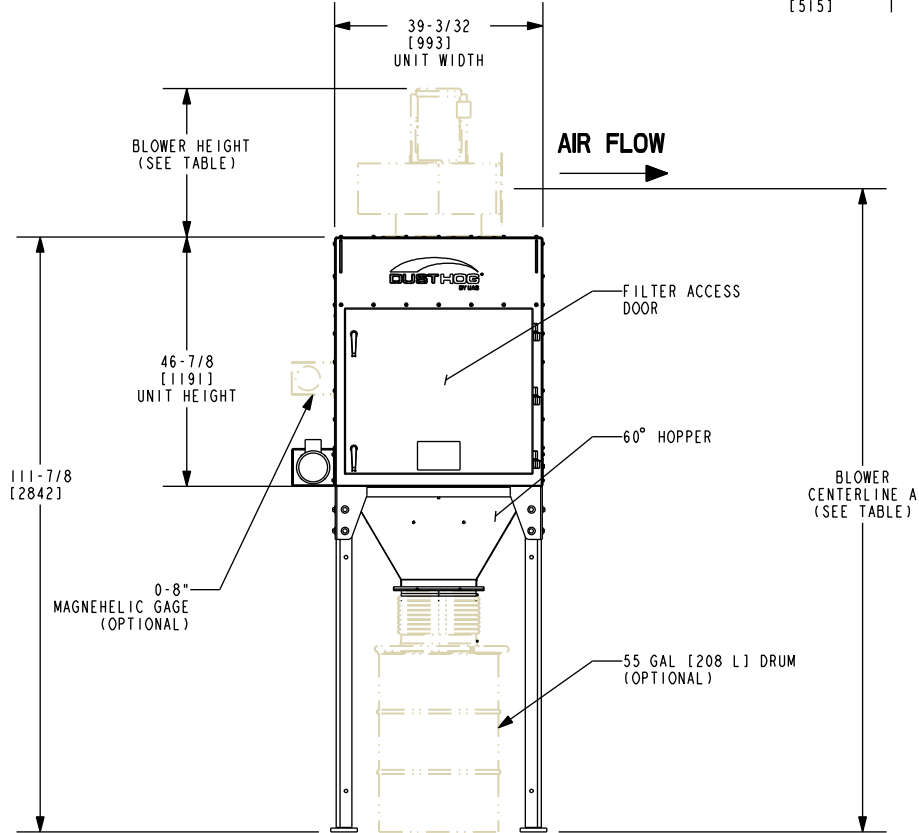
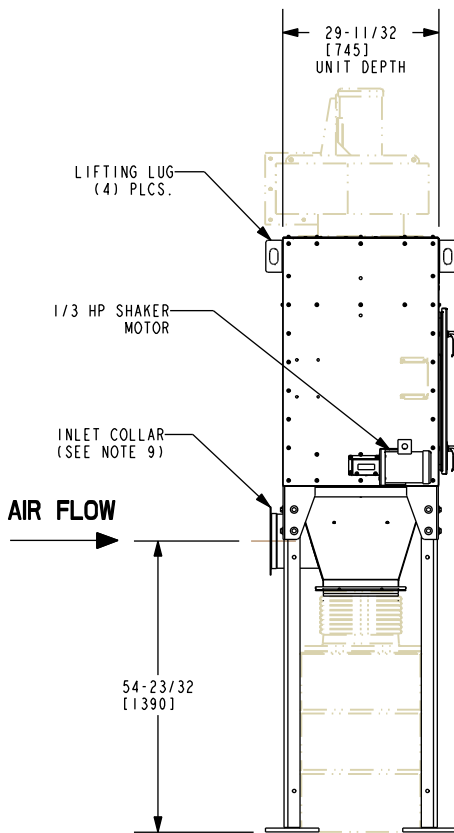
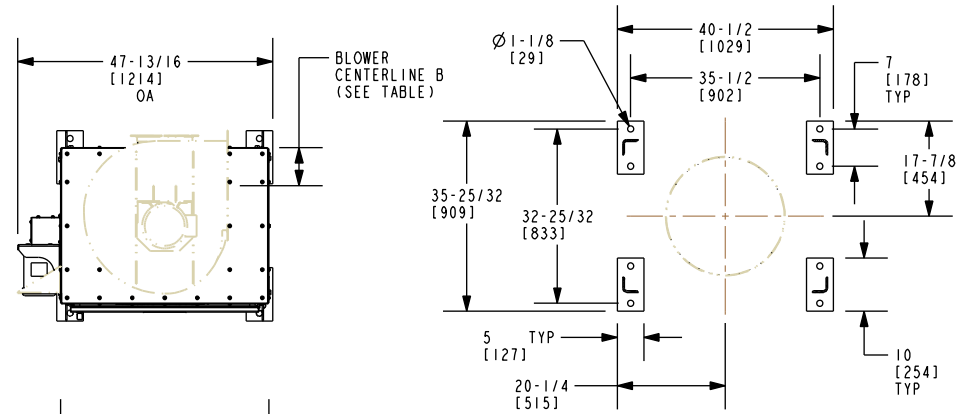
THIS DRAWING IS NOT TO BE SCALED. FOR ADDITIONAL INFORMATION, PLEASE CONTACT OUR ENGINEERING DEPT.

REVISIONS				
LTR	ECN	DESCRIPTION	DATE	APPROVED
A	N/A	REVISED LABEL	6/22/16	NRL

SYSTEM SPECIFICATIONS:

- | | |
|---|---|
| <ol style="list-style-type: none"> 1. FILTER SPECIFICATIONS 2. FILTER AREA: 3. TOTAL UNIT WEIGHT (APPROX): 4. SEISMIC ZONE: 5. WIND LOADING: 6. CABINET PRESSURE RATING: 7. CABINET FINISH: 8. INPUT POWER OPTIONS: 9. STANDARD INLET OPTIONS: | <p>9 oz. [266 ml] POLYESTER SATEEN (STD)
 211 FT² [20 m²]
 755 LBS [342 Kg] (LESS BLOWER)
 ZONE 4
 100 MPH [161 Km/h]
 ±20" W.G. [4976 Pa]
 GREY POWDER COAT (INTERIOR AND EXTERIOR)
 MEETS 750 HR SALT SPRAY TEST PER ASTM B117.
 230V/460V/575V, 3PH, 60 Hz
 FLANGED OR SLIP COLLAR
 8" [203] OR 10" [254] DIAMETER</p> |
|---|---|

BLOWER OPTIONS			
HP	HEIGHT	CENTERLINE A	CENTERLINE B
3	21-7/16 [545]	117-5/32 [2980]	7-13/32 [188]
5	27-7/8 [708]	120-3/16 [3053]	7-3/32 [180]



UNLESS OTHERWISE SPECIFIED:
 DIMENSIONS ARE IN INCHES.
 TOLERANCE:
 FRAC. DECI. ANGLES
 ± N/A ± N/A ± N/A

SIGNATURES	MO-DA-YR
DRAWN: RPK	3/13/12
CHECK: WDF	3/13/12

DESCRIPTION
SDC-210, 55 GAL

SIZE	PART NUMBER	REV
A	44-10541-2	A
SCALE:	0.028	SHEET 1 of 1

